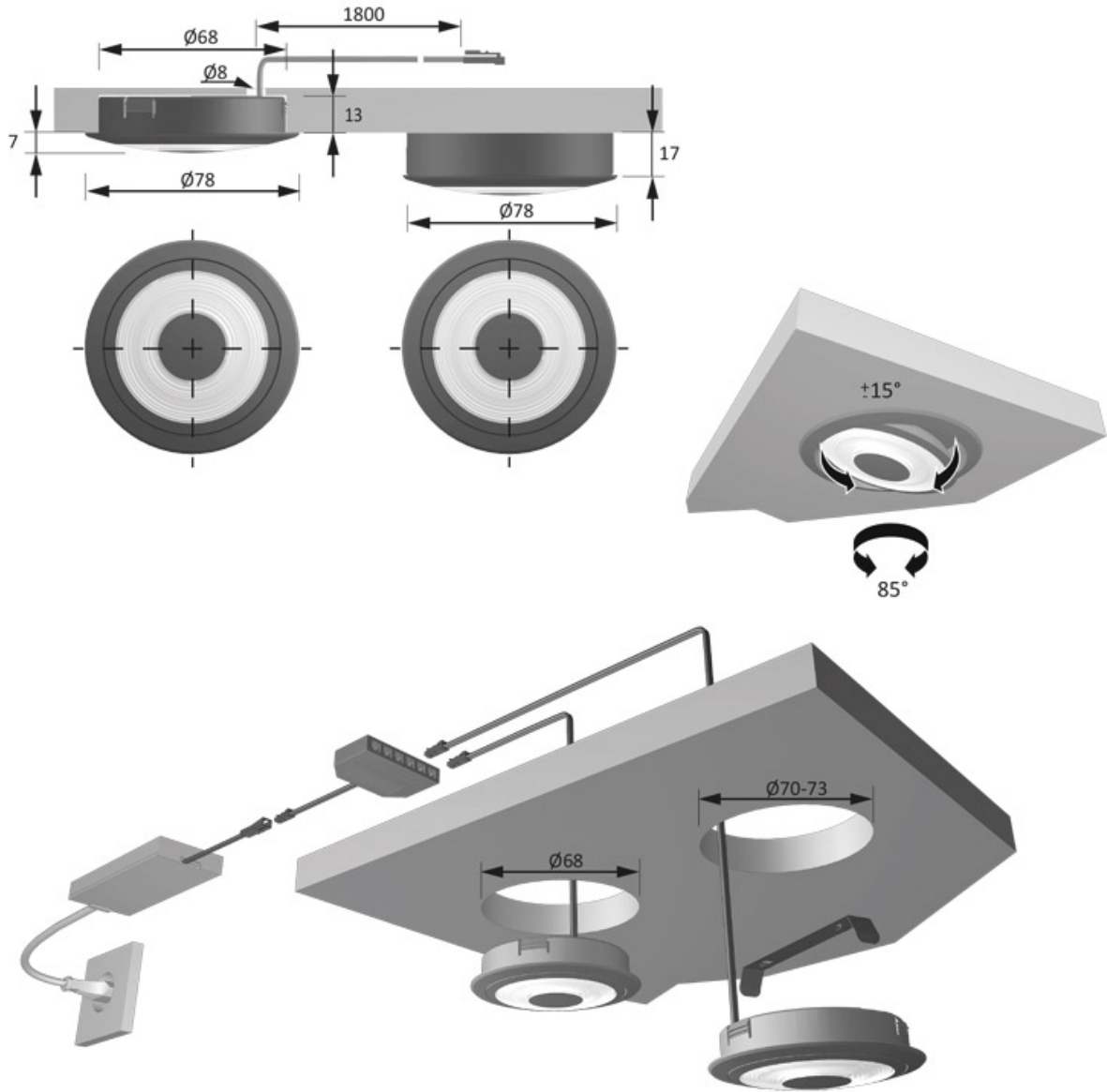


# SPOT LED INCLINABLE SWING

HALEMEIER



HALEMEIER



<https://www.quincabox.fr/spos-leds-12-v-swing-p55652>



Tel : 02 43 30 41 38

Fax : 02 43 30 26 16

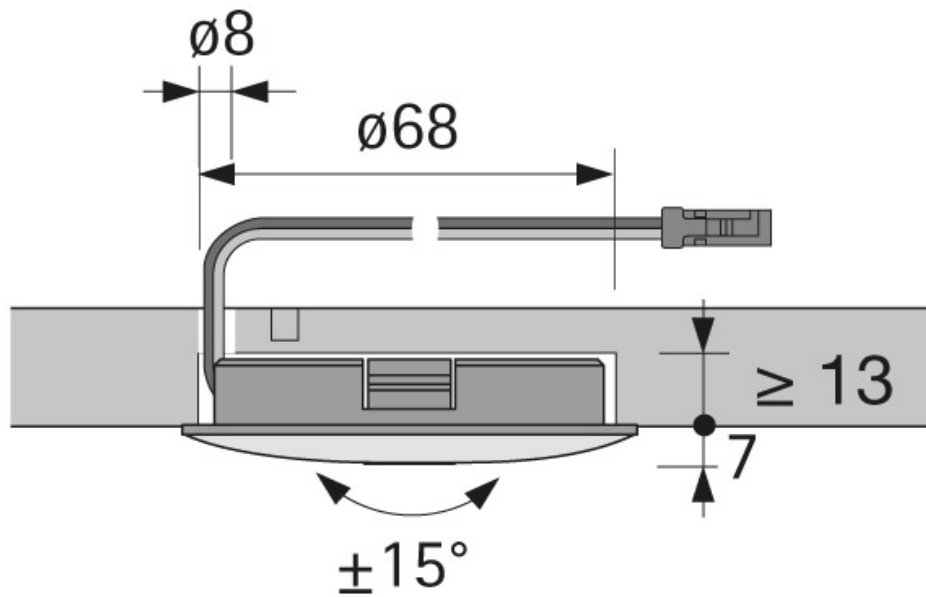
[www.quincabox.fr](http://www.quincabox.fr)

# SPOT LED INCLINABLE SWING

HALEMEIER



HALEMEIER



<https://www.quincabox.fr/spos-leds-12-v-swing-p55652>